

# GMN

## Sprag-Type Freewheel-Clutches

Printing presses  
Copiers  
Conveyers  
Sowing machines  
Mixers  
Textile machines  
Packaging machines  
Motor bikes  
Paper handling  
Winches  
Furniture production  
High voltage switches

# GMN

## Sprag-Type Freewheel-Clutches



# GMN

輝遠貿易有限公司  
NEW AMIGO CO., LTD.  
台北市重慶北路三段137巷46號  
電話：(02)2597-5281(代表號)  
傳真：(02)2595-7236  
Web: www.newamigo.com.tw  
E-mail: contact1@newamigo.com.tw

Internet: www.gmn.de

90500706

# QUALITY MANAGEMENT

GMN Paul Müller Industrie GmbH & Co. KG's approach to quality is based on the principle of offering our customers the best possible solutions to their problems thus providing satisfaction and gaining and keeping their trust.

The care we take all related processes and services reflects our aim to provide our customers with a perfect product.

Our company prides itself on offering its customers state-of-the-art technology in its products, processes and services.



All divisions of **GMN Paul Müller Industrie GmbH & Co. KG** (driving technology, high precision ball bearings, spindle technology) are certified in accordance with DIN EN ISO 9001:2000.



# GMN

GMN Paul Müller Industrie GmbH & Co. KG with its over 95 years of experience manufactures high precision ball bearings, machining spindles, free-wheel clutches, non-contact seals and air bearings for a wide variety of applications at its production facilities in Nuremberg.

A large part of the products are manufactured for special applications, tailor-made to customer specification.

A world-wide network of customer service centres provides our customers with advice on the quality, performance and service life of our products.

**GMN** is the trademark of GMN Paul Müller Industrie GmbH & Co. KG.

This catalogue reflects the latest design features at the time of printing. The company reserves the right to change designs and specifications at any time.

No part of this publication may be reproduced without the prior permission of GMN Paul Müller Industrie GmbH & Co. KG.

## GMN Paul Müller Industrie GmbH & Co. KG

### Catalogue Sprag-Type Freewheel Clutches



Catalogue No. 9050 07/06 E

Series 400 – 8000: 2 Product Lines for any Shaft Diameter 5

Basic Information 6 – 10

Function 6

Function / Torque Determination 7

Torque Determination 8

Torque Determination / Idling Requirements 9

Functional Parts 10

Series 400 11 – 13

Survey of Types 12

Installation 13

Insert Element without Bearing 14

Roller Bearing 15

Press Fit at Inner and Outer Ring 16

Keyway at Inner Ring and Press Fit at Outer Ring 17

Ball Bearing Sizes 18

Back Stop with Momentum Lever 19

Tolerance Table 20

Series 8000 21 – 23

Basic and Specific Information 22

Survey of Types 23

Lubrication 24/25

Mounting 26

Technical Advice Conversion Factors 27

The standard shaft diameters covered by Type Series 400 reach from 2 to 80 mm depending on the single design. For larger diameters we offer different solutions. Either with special sizes or special designs of our type series 400 or clutches of our type series 8000 (based on a 8.33 mm =  $\frac{21}{64}$  in high sprag). Your decision for the right sprag size will be supported either by reading this catalog or by getting in contact with our technical staff. We will be pleased by assisting you on your way to the perfect design. Of course without any obligation. With this catalog we would like to offer a first glance at our capability as well as important data how the right clutch could be determined and how the mating parts should be designed and prepared.

## GMN Freewheel Clutches

GMN produce Sprag-Type Freewheel-Clutches only. These products have proven their reliability in high standard applications all over the world throughout decades.

There are some very special reasons for the high reliability of GMN-Clutches of Series 400:

1. The logarithmic spiral
2. Perfect spring loading
3. Small space requirements
4. Large number of sprags

which result in 3 very important benefits:

1. High accuracy
2. High torque capacity
3. Long life

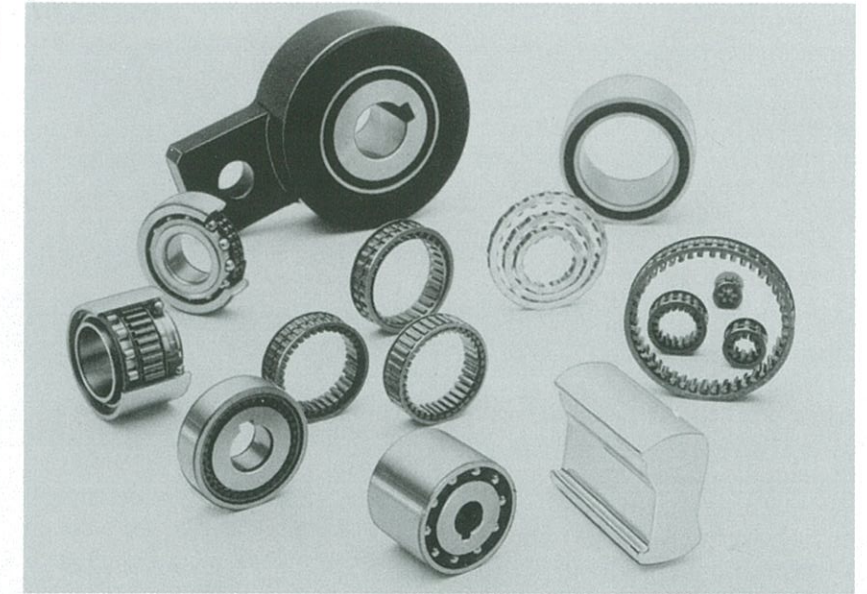
For leading these benefits to perfect performance and maximum life some prerequisites have to be fulfilled by the user of our clutches.

We give some guide lines regarding: design of mating parts on pages 6 to 9, mounting fits on page 10, lubrication on pages 20/21.

If in doubt, please do not hesitate to contact the technical staff for more detailed information.

## Type Series 400

Type series 400 is based on a 4 mm high sprag. It offers clutches for shaft diameters from 2 to 80 mm. For larger shafts GMN offer the series 8000. Please see on bottom.



## Important Applications

Out of a large variety of applications our clutches are used for in many countries, we demonstrate a survey of the most important one's:

- Conveyers (Back Stopping)
- Conveyers (Speed Compensation)
- Copiers (Paper Feeding)
- Diesel Engines (Starter Handle)
- Furniture Production (Glue Roller Drive)
- High Voltage Switches
- Mixers (Safety Clutch)
- Motor Bikes (Automatic Gear)
- Packaging Machines (Overrunning Clutch)
- Paper Handling (Material Feed)
- Printing Presses (Ink Roller Drive)
- Sowing Machines (Seed Feeder)
- Textile Machines (Material Feed)
- Winches (Back Stop).

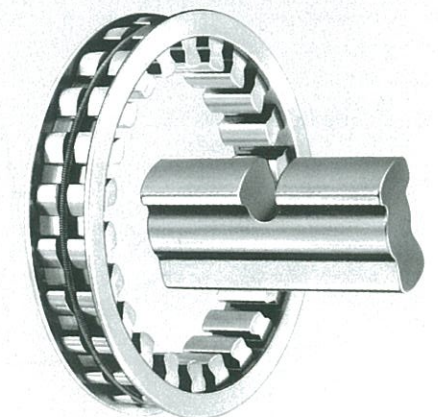
## Type Series 8000

Based on a 8.33 mm high, newly developed sprag we just offer insert elements and customer oriented specials.

Just now we serve shaft sizes from 38 mm to 150 mm. other sizes on request. There are inch sizes available too.

Most of the technical conditions of series 8000 are quite similar to those of series 400 and could be found on pages 6 to 9. Data, specific for series 8000 could be found on page 22.

The complete survey of types of this series, produced right now, together with torque data is shown on page 23.



## Freewheel-Clutch description

Freewheel-clutches transmit or support torque moment by friction contact in one direction and permit idling in the opposite direction.

Freewheel-clutches are used as:

Indexing elements to change from oscillating to intermittent rotary motion.

Backstops to prevent self reversing due to load condition when the machine is not activated.

Overrunning clutches to maintain driven unit activated even during slowdown, or in the case of two speed operation (by independent motors) to switch to the higher speed by passing the slower.

A large quantity of freewheel-clutches with varying design features and dimensions are available, depending on requirements such as: torque, indexing frequency, idling speed and environment.

The supporting equipment around the clutch has to be built accurately and of high quality for the clutch to operate pro-

perly. This is why we offer support units or complete assemblies of free-wheel-clutches.

Lubrication is especially important to obtain maximum life of freewheel-clutches. Good lubrication decreases drag. Please refer to our Lubrication Selection Table for proper selection. See pages 18/19.

GMN Clutches (except the sealed clutches of series FND, FPD, FK 62..-RS, FK 62..-2RS, FKN..-RS and FKN..-2RS) are shipped rust-protected – not lubricated.

For extreme applications, please consult with our technical staff.

## The sprag

GMN freewheel-clutches are sprag-type clutches.

The shape and engagement angle of our sprags assure high quality and top performance. We developed two sprags for our 400 – 8000 models, which are unique because of two important features: the engagement curve.

especially designed for each size of sprag, based on the special requirements caused by the different sizes of shafts each sprag is supposed to work on and the smallest head surface. We reduced the force of gravity caused by high indexing frequency, through our small and light sprags.

## The logarithmic spiraled engagement curve

The logarithmic spiraled engagement curve is the prerequisite for precise indexing and long operating life. Especially for small shaft diameters. To achieve these factors it is important that all sprags engage simultaneously and in the same angle for torque pickup. Equal force acting on all sprags is required from the instant of engagement to full torque transfer. This is derived from the general mathematical formula for logarithmic spirals.

$$r_{\gamma} = r_0 \cdot e^{\cot \psi \cdot \gamma}$$

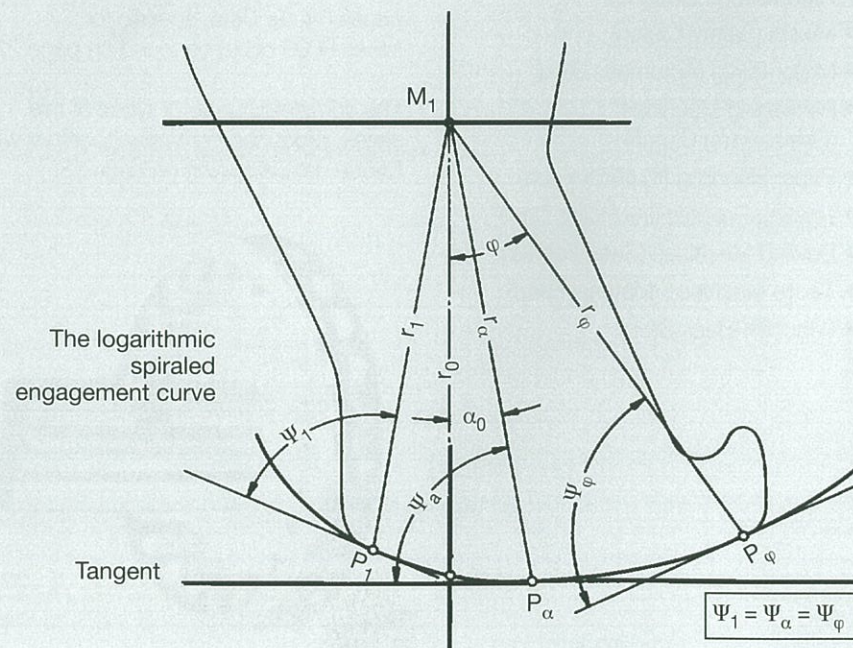
and

$$\psi = 90^{\circ} - \alpha_i; \alpha_a$$

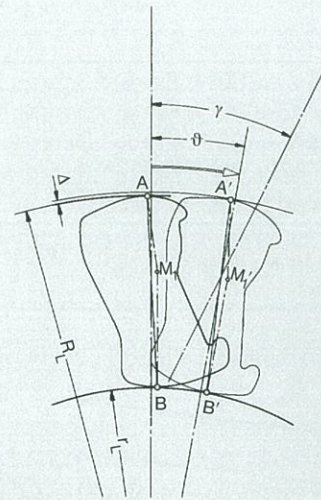
It is important that the pitch angle remains equal on all points along the tangent line. Furthermore, the engagement angles of the sprags are stabilized in all zones of contact over the entire engagement zone.

The installation of freewheel-clutches causes the sprags to be positioned in varying sloping positions, resulting from the tolerance in the engagement track (shaft and housing) and the eccentricity. Equal force distribution and equal straining forces on all individual sprags are a result of individual engagement and identical engagement angles.

High switching frequency with extra long life is achieved through the theoretical foundation and the practical design. This is why GMN freewheel-clutches are so outstanding.



## Engagement of sprags



When load is applied, the sprags roll on their engagement surfaces until a balance of forces between the torque and the tension of all clutch components (shaft, sprag, outer ring) is achieved. The distance and the necessary height difference  $\Delta$  of the sprag, measured over both engagement tracks, is the operating zone.

The size of the engagement angle  $\gamma$  is determined by the applied torque (moment) and the force of reaction of the expansion  $\Delta$  from the outer and inner parts. The engagement angle  $\gamma$  creates between outer and inner ring an angle of twist  $\phi$ , which will remain equal with constant operating conditions and should not be considered slippage or intermittent slippage.

To prevent a "tip over" of the sprag at extreme overload, the logarithmic spiral is increased outside of the operating zone. This results in a larger pitch angle  $\psi$  and larger engagement angles  $\alpha_i$  and  $\alpha_a$ . A failure of a sprag will only take place when the overload is 2 to 3 times the nominal torque moment.

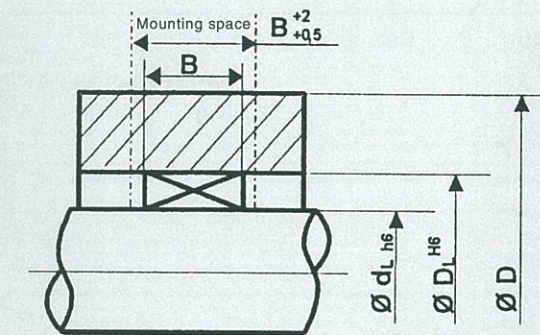
## Engagement force

The engagement force acting on the sprags has to be determined for each individual application of the freewheel-clutch to assure the best compromise between idling wear and perfect torque pickup. To keep engagement forces at their lowest level, we designed our freewheel-clutches so that only a small moment of inertia works against the indexing movement.

## Basic facts for torque-determination

The torque data, shown in the tables of dimensions are based on the following conditions:

- Solid shaft
- Wall thickness factor of outer part  $D/D_L = 1,4$
- Material of the mating parts: 100 Cr 6 (eq. AISI 52100); hardened and tempered; HRC = 60<sup>+</sup>4 martensitic structure; max. alternating bending strength  $\sigma_{bw} = 750 \text{ N/mm}^2$



All torque data are related to calculations based on these conditions. There is a safety factor of 1.5 included. This higher value of torque could be reached once without damaging the clutch. If the clutch should be

operated under different conditions like different material, smaller wall thickness, hard working conditions (combustion engines) or high temperatures the transmittable torque will be reduced. Please see

information page 9. On page 8 you will find torque diagrams for different conditions of materials and wall thickness. Please keep in mind, that there exist different diagrams for the two different series 400 and 8000.

## Transmittable Torque based on wall thickness and material

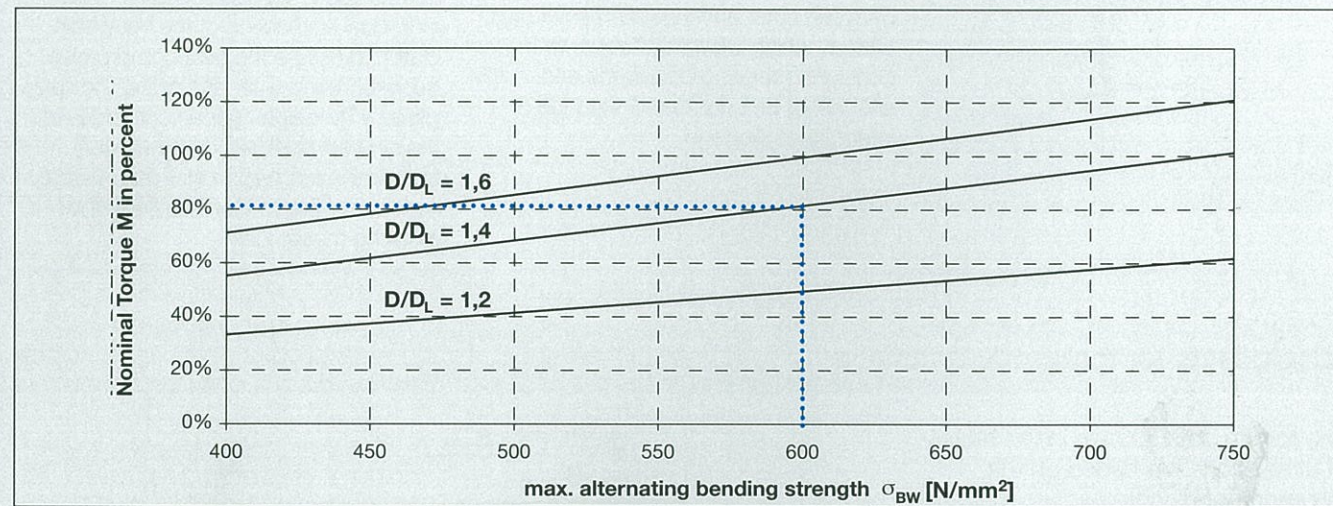
The diagrams offer you a survey on the influences of the material of the mating parts for the factors of wall thickness  $D/D_L = 1.2/1.4/1.6$  in relation to the nominal torque.

For your orientation some material data:

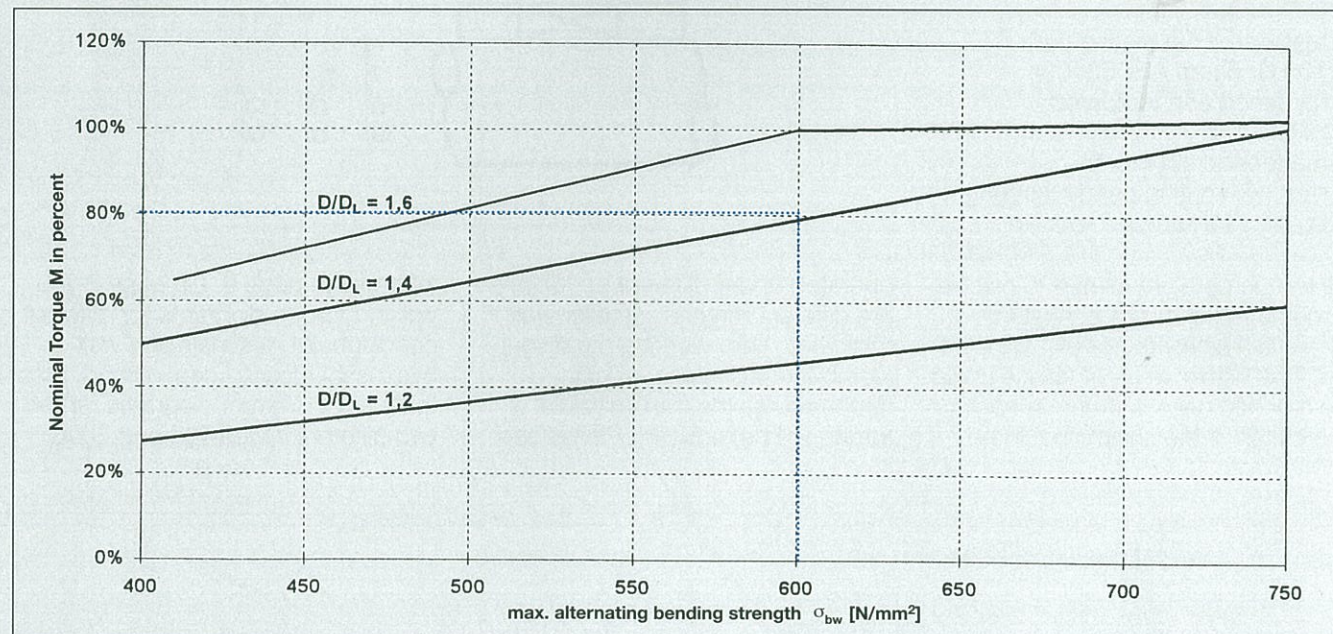
$\sigma_{bw} = 400 \text{ N/mm}^2$	34 CrMo 4V (eq. AISI 4135)	- case hardened, HRC = 60+4; Eht $\geq 1.3 \text{ mm}$
	16 MnCr 5 (eq. AISI 5115)	- case hardened, HRC = 60+4; Eht $\geq 1.3 \text{ mm}$
$\sigma_{bw} = 540 \text{ N/mm}^2$	42 Cr Mo 4V (eq. AISI 4140)	- case hardened, HRC = 60+4; Eht $\geq 1.3 \text{ mm}$
$\sigma_{bw} = 600 \text{ N/mm}^2$	20 MnCr 5 (eq. AISI 5120)	- case hardened, HRC = 60+4; Eht $\geq 1.3 \text{ mm}$
$\sigma_{bw} = 750 \text{ N/mm}^2$	100 Cr 6 (eq. AISI 52100)	- hardened and tempered; HRC = 60+4

For your information Eht = Hardening depth!

Series 400



Typenreihe 8000



Additional information for torque determination (like safety factors) you will find on page 9, or you might contact our technical staff, if in doubt.

•••• example how to use the diagram for 20MnCr5 – case hardened, HRC 60+4, Eht = 1.3

## Idling requirements

We recommend the use of a free wheel clutch of the "Z" series when it is used as a backstop.

## Speed limit

Our sprags could lift off the inner race due to centrifugal forces at a critical speed. In this situation the function of the clutch in indexing applications could no longer be guaranteed – so the function is depending on the speed of the sprags itself, not the speed of shaft or housing.

The initial speed of the sprags could not be calculated easily, but: The insert element will not run with the turning part (i.e. shaft) and it will also not stand still with the stationary part. The insert elements – and with them the sprags – are stabilizing their own speed somewhere between.

The speed limit shown in the tables refer to the speed of the insert elements, they do not refer to the speed of shaft or housing.

## Nominal torque moment and overload

Depending upon the application in which a freewheel-clutch is used, peak load conditions may be encountered, which go far above the nominal torque moment "M".

If data on peak strain for load conditions are not available, the service factors  $S_A, S_F, S_K, M_T$  listed below can be used with nominal torque moment data.

Indexing element:	$M_t = M_m \cdot S_F \cdot S_M \cdot S_T$
Back-stopping:	$M_t = M_m \cdot S_A \cdot S_T$
Over-running:	$M_t = M_m \cdot S_M \cdot S_K \cdot S_T$
	$M_t =$ theoretical operating torque moment
	$M =$ nominal torque moment (catalog data)
	$M_m =$ average nominal torque moment on the machine
	$M_t \leq M$

The service factors are approximate values and can be used only as a guide for size selection of a freewheel-clutch at given nominal torque moment.

In extreme cases, it is safe to determine the peak torque requirements by strain gauge, especially for the peak load conditions encountered through high switching frequencies, for the selection of a freewheel-clutch.

Moving mass	$S_A$	$S_M$
Light mass Small mechanical fixtures electric devices, machine tools	1	1.25
Medium mass Printing presses, machine tools small conveying installations, conveyor or feed systems	1.2	1.65
Large mass Load carrying equipment heavy presses and machines, heavy duty equipment	1.8	2.5

Engines and motors	$S_K$
Electric motors	1 – 2
internal combustion engines ( $\delta < 1:100$ )	1.3 – 2.5
internal combustion engines ( $\delta > 1:100$ )	1.7 – 3.3

Indexing frequency Hz	$S_F$
to	
Type 400 Z	1
	5
	10
	15
Type 400 M	20
	30
	40
	60
over	60

Freewheel-clutch temp.	$S_T$
to	
68° F = 20 °C	1.00
104° F = 40 °C	1.05
140° F = 60 °C	1.10
176° F = 80 °C	1.20

## Clutch design

All torque specifications "M" in this catalog are corresponding with the transmittable nominal torque of each freewheel-clutch under according to the conditions shown on page 7. On request we could calculate the nominal and maximum torque in your certain application.

## Functional parts

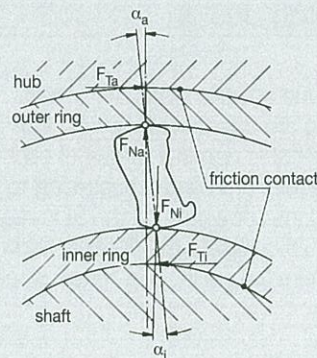
Over and above the mentioned mathematical prerequisites for the engagement surface of the sprags and their proper and reliable functioning, there are design characteristics which make optimum usage possible based on the mathematical conditions.

The sprags with their constant engagement angles, based on the logarithmic spiraled engagement curve, assure exact indexing. This will provide good guidance through the cage and reliable pretension. Through the force direction of the spring, the sprags receive pretension within the cage and are forced to the inside. The enlarged head of the sprag prevents a slip through to the inside.

## Press fit of thin walled rings

The thin walled freewheel-clutch rings transmit the torque moment with the friction contact of the press fit. Slippage of the pressed in or pressed on rings is impossible, because the friction contact of the ring to the bore and to the shaft, increases in proportion to the applied torque moment.

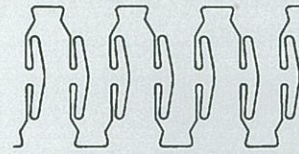
Slippage will not occur even when an unusual amount of moment or load takes place. The tangential force  $F_{TA} = M/R_L$  respectively.  $F_{Ti} = M/r_L$  presses the rings with approximately 20 times the normal force  $F_{Na,i} = F_{Ta,i} \cdot \cot \alpha_i$  ( $\alpha_a$ ). This increases the press fit preset friction contact.



## Meander spring

A special three-dimensional meander shaped spring was developed for our freewheel-clutch model FE 400, also called FE 400 M.

This spring is made of spring steel wire, class II quality and produced in the endless method on a spring forming machine designed and built by GMN.

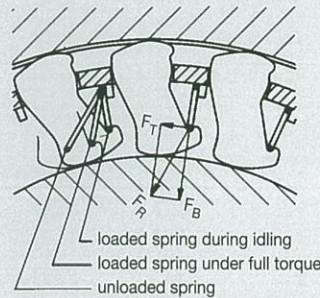


## Freewheel-Clutch FE 400 (FE 400 M)

These freewheel-clutches are especially suited for every precise and fast indexing application.

The meander spring is hooked to the sprag and supported through the cage. Over a long spring distance with two force components  $F_B$  and  $F_T$  (bending and torsion) spring tension  $F_R$  is maintained to optimum pretension for each of the individual sprags.

This freewheel-clutch can also be used as a backstop with idling speeds of  $v \leq 20$  m/min.



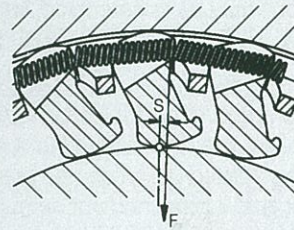
## Freewheel-Clutch FE 400 Z and FE 400 Z2

This model is used as a backstop or overrunning clutch at idling speeds of  $v < 60$  m/min.

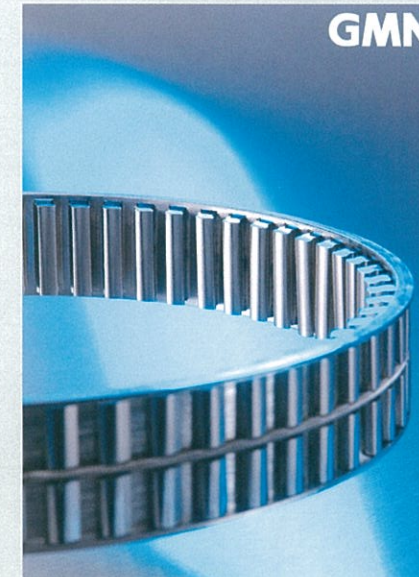
A circular spring is placed over all sprags for pretension, due to the small leverarm "s". This causes a minor drag torque which results in free running.

This type of pretension is available in two series (Z; Z2) with different widths (see page 14).

For low indexing frequency  $f_s \leq 20$  Hz this freewheel-clutch can be used as an indexing element.



## GMN Freewheel-Clutches Series 400

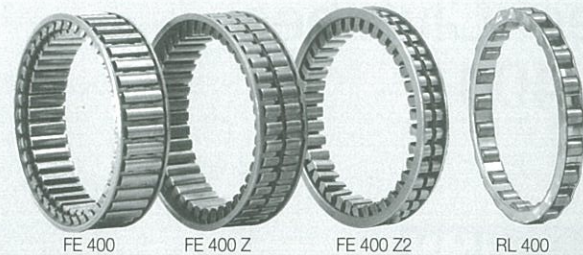


## Freewheel-Clutch

as an insert element, unsupported

## Roller Bearing RL 400

Clutch support bearing



FE 400 (M)	Shaft diameter of 14 to 80 mm
FE 400 Z	Shaft diameter of 4 to 80 mm
FE 400 Z2	Shaft diameter of 2 to 60 mm
RL 400	Roller Bearing Shaft diameter of 4 to 80 mm

## Ball Bearing Freewheel-Clutch

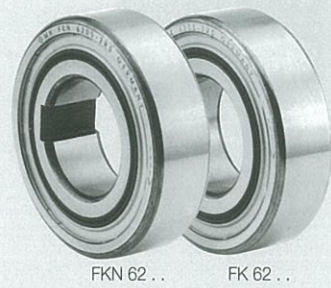
with pressfit at inner and outer ring

Dimensions according to deep groove ball bearings DIN 625 bearing series 62

### Clutch-Series FK 62 . .

Same sizes available with keyway too.

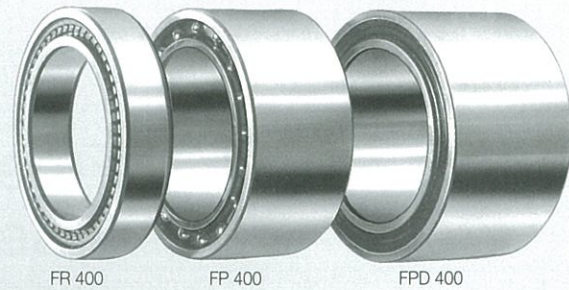
### Clutch-Series FKN 62 . .



FK 62..	Shaft diameters 17 to 40 mm	open
FK 62..-RS		sealed on one side
FK 62..-2RS	Shaft diameters 20 to 40 mm	sealed on both sides
FKN 62..	Shaft diameters 17 to 40 mm	open
FKN 62..-RS		sealed on one side
FKN 62..-2RS	Shaft diameters 20 to 40 mm	sealed on both sides
FK 6304-2RS	Shaft diameter 20 mm	sealed on both sides with plain inner ring only
Other sizes and special dimensions on request		

## Freewheel-Clutch

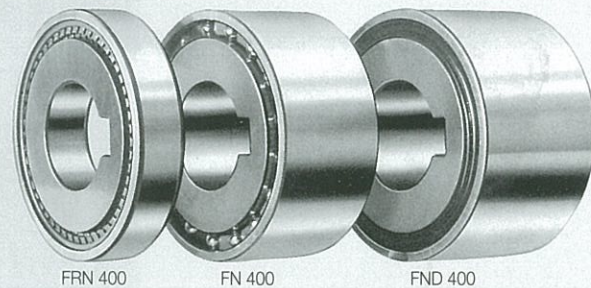
with press fit at inner and outer ring



FR 400	shaft diameter 10 to 60 mm
FP 400	shaft diameter 10 to 60 mm
FPD 400	shaft diameter 30 and 40 mm; sealed

## Freewheel-Clutch

with keyway at inner ring and press fit at outer ring

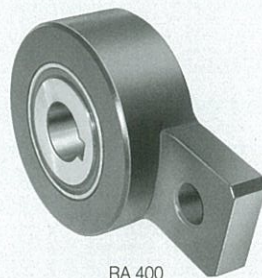


FRN 400	shaft diameter 10 to 45 mm
FN 400	shaft diameter 15 to 40 mm
FND 400	shaft diameter 15 to 40 mm; sealed

## Backstop

with momentum lever

RA 400  
shaft diameters  
15 mm to 40 mm



## 1. Freewheel-Clutches FE 400/Z/Z2/S and Roller Bearing RL 400

### 1.1. Surface and hardness:

The races of freewheel-clutches and roller bearings must be hardened and ground. The hardening depth (Eht) for surface hardness must be  $\geq 1.3$  mm for transmitting full torque moments. Lower torque moments require correspondingly lower depths.

Hardness: HRC = 60+2  
Eht  $\geq 1.3$  mm  
Surface:  $R_z \leq 2.5 \mu\text{m}$

### 1.2. Mounting tolerance

Bore  $D_L = H6$   
Shaft  $d_L = h5$   
See page 22

1.3. Freewheel-clutch and roller bearing require a collar, ring or snap ring (round edge towards freewheel-clutch) as a guide.

1.4. For ease of mounting, shaft and bore should have a chamfered edge.

1.5. The rollers of the roller bearings RL 400 can be ordered in eleven different tolerance classes, in steps of 2 microns ranging from +10 to -10 microns.

### Order example:

50 roller bearings with 34 mm diameter x 42 mm diameter and tolerance class of +4 microns:

50 RL 442 + 4.

If there is no tolerance ordered rollers of tolerance -4 microns will be delivered:

50 RL 442

## 2. Freewheel-Clutches FR/FP/FPD/FRN/FN and FND 400

(M-, Z- and S models)

2.1. Machine parts, in which freewheel-clutches are pressed in or on can be of ferrous or nonferrous material.

### 2.2. Mounting tolerance:

thin walled ring with pressfit  
Bore  $D = H6$   
thin walled ring with pressfit

Shaft  $d = h5$   
ring with keyway  
Shaft  $d = js6 (k5)$   
See page 22

2.3. Insert freewheel-clutches of models FR and FRN 400 have to be secured in the axial direction.

2.4. For pressed in or on freewheel-clutch rings, no retainers are necessary for axial or radial security.

2.5. The inner rings of freewheel-clutches FRN 400 have to be secured. The inner rings with keyway on the other models have to be secured in the axial direction only, if the pressed on outer machine part (gear or lever) is not axially secured.

2.6. When mounting freewheel-clutches with bearings do not apply pressure to bearing balls.

2.7. After installation a radial clearance between C2 and C5 will be reached. To create a clearance of C2 you should produce your shaft at the highest point and your housing at the lowest point of the allowed tolerances. bearing balls.

2.8. max. temperature:  
FPD, FND, Series 453 110 °C (230 °F)  
FP, FN, FR, FRN 170 °C (340 °F)

## 3. Ball Bearing Sizes FK 62 . . / FKN 62 . .

3.1. Connecting parts like 2.1.

### 3.2. Mounting tolerance:

Bore  $D = N7$   
Shaft  $d = n6$   
See page 22

3.3. For pressed in or on rings, no retainers are necessary for axial or radial security.

3.4. When mounting do not apply pressure to bearing balls.

3.5. The RSR-seals used for these clutches would seal against dust and grease lubrication. Oil lubrication and merging into liquids is not possible.

3.6. Even the keywayed inner rings of series FKN 62.. have to be pressfitted for proper function. Pressfit will be achieved by using the correct tolerance of the shaft "n6".

3.7. max. temperature: 110 °C (230 °F)

## 4. Backstop with Momentum Lever RA 400

4.1. Connecting shaft like 2.1.

### 4.2. Mounting tolerance:

Shaft  $d = js6 (k5)$   
See page 20

4.3. The inner ring of the backstop has to be axially secured on the shaft.

4.4. The backstop can only be mounted or disassembled by way of the inner ring so that the bearing balls are not damaged.

4.5. max. temperature: 110 °C (230 °F)

## 5. Engagement Direction

Different series of freewheel-clutches need to be ordered with the correct engagement direction. The engagement direction can be specified by catalog number.

### Engagement direction right:

When the shaft is driving to the right (clockwise) and the outer ring is driven through the sprags, (direction of view from the mounting side) suffix "R" not necessary.

### Engagement direction left:

When ordering a freewheel-clutch with opposite engagement, the suffix "L" must be placed after the catalog number.

### For example:

FK 6205-RSL; RA 442 L;  
RA 453 ZL

## 6. Lubrication

GMN Clutches (except the sealed clutches of series FND, FPD, FK 62 . . -RS, FK 62 . . -2RS, FKN 62 . . -RS, FKN 62 . . -2RS, RA) are shipped rust protected - not lubricated.

See pages 22/23

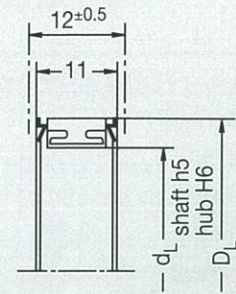
**Attention: Please take care for total cleaning of freewheel rings and mating parts before pressfitting (no grease particles left in the pressfit area).**

FE 400

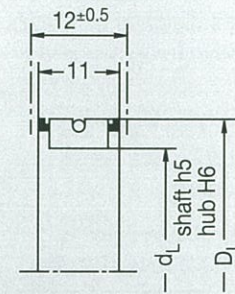
FE 400 Z

FE 400 Z2

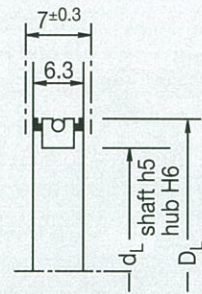
Mounting space



Mounting space

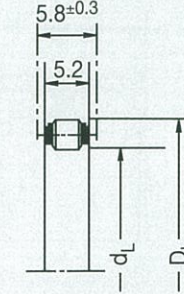


Mounting space



RL 400

Mounting space



Tolerances of rollers and order example see page 13 paragraph 1.5.

Dimensions [mm]		FE 400		FE 400 Z		FE 400 Z2			Idling speed Clutch $n_{max}$ [RPM]	Dimensions [inch]	
$d_L$	$D_L$	Part-number	Torque M [ftlb] [Nm]	Part number	Torque M [ftlb] [Nm]	Part number	Torque M [ftlb] [Nm]	$n_{max}$ [RPM]		$d_L$	$D_L$
2	10					FE 410 Z2 *	0.2 0.3	10 000	.0787	.3937	
4	12			FE 412 Z	2.2 3	FE 412 Z2 *	1.3 1.8	10 000	.1575	.4724	
5	13					FE 413 Z2	2.1 2.9	9 000	.1969	.5118	
6	14			FE 414 Z	5 7	FE 414 Z2	1.9 2.6	8 500	.2362	.5512	
8	16			FE 416 Z *	9 12	FE 416 Z2	5.6 7.6	7 500	.3150	.6299	
14	22	FE 422	36 48	FE 422 Z *	32 44	FE 422 Z2	16 21	5 300	.5512	.8661	
15	23	FE 423	40 55	FE 423 Z	36 48	FE 423 Z2 *	18 24	5 200	.5906	.9055	
17	25	FE 425	50 68	FE 425 Z	43 58	FE 425 Z2	22 30	4 700	.6693	.9843	
19	27	FE 427	59 80	FE 427 Z	49 66	FE 427 Z2 *	27 36	4 400	.7480	1.0630	
20	28	FE 428	64 87	FE 428 Z	55 75	FE 428 Z2	29 39	4 200	.7874	1.1024	
22	30	FE 430	75 101	FE 430 Z	64 87	FE 430 Z2 *	34 46	4 000	.8661	1.1811	
24	32	FE 432	86 116	FE 432 Z	71 97	FE 432 Z2	39 52	3 700	.9449	1.2598	
25	33	FE 433	92 124	FE 433 Z	79 107	FE 433 Z2 *	41 56	3 600	.9843	1.2992	
27	35	FE 435	104 141	FE 435 Z	90 121	FE 435 Z2	47 64	3 400	1.0630	1.3780	
29	37	FE 437	117 158	FE 437 Z	101 137	FE 437 Z2 *	53 71	3 200	1.1417	1.4567	
30	38	FE 438	124 168	FE 438 Z *	106 144	FE 438 Z2 *	56 76	3 100	1.1811	1.4960	
34	42	FE 442	152 207	FE 442 Z	131 178	FE 442 Z2	69 93	2 800	1.3386	1.6535	
35	43	FE 443	160 217	FE 443 Z	138 187	FE 443 Z2	72 98	2 700	1.3780	1.6929	
40	48	FE 448	201 272	FE 448 Z	173 235	FE 448 Z2 *	90 122	2 500	1.5748	1.8898	
45	53	FE 453	246 333	FE 453 Z	207 281	FE 453 Z2	108 146	2 200	1.7717	2.0866	
50	58	FE 458 *	295 400	FE 458 Z	254 345	FE 458 ZS	131 178	2 000	1.9685	2.2835	
51	59	FE 459	305 414	FE 459 Z	263 357						
55	63	FE 463	348 472	FE 463 Z	300 407	FE 463 Z2 *	149 202	1 900	2.1654	2.4803	
60	68	FE 468	405 550	FE 468 Z	349 474	FE 468 Z2	179 243	1 750	2.3622	2.6772	
62	70	FE 470	429 583	FE 470 Z	370 502			1 700	2.4409	2.7559	
65	73	FE 473	467 633	FE 473 Z	402 545			1 600	2.5590	2.8740	
70	78	FE 478	532 722	FE 478 Z	458 622			1 500	2.7559	3.0709	
80	88	FE 488	674 914	FE 488 Z	581 788			1 300	3.1496	3.4646	

Maximum radial clearance pending application 0.04 mm. \* Not a stock item, delivery on request.  
Other sizes on request. 10 Nm = 1 kpm, 10 N = 1 kp – Dimensions subject to change!

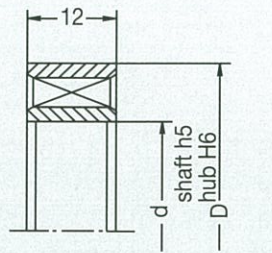
Dimensions [mm]		RL 400 Part number	Load Capacities		Idling speed Bearing		Dimensions [inch]	
$d_L$	$D_L$		C dyn. [lb] [N]	$C_0$ static [lb] [N]	$n_{max}$ [RPM] oil grease	$d_L$	$D_L$	
2	10						.0787 .3937	
4	12	RL 412	564 2 510	315 1 400	55 000 45 000		.1575 .4724	
5	13						.1969 .5118	
6	14						.2362 .5512	
8	16						.3150 .6299	
14	22	RL 422	1 115 4 960	787 3 500	25 000 19 000		.5512 .8661	
15	23	RL 423	1 119 4 980	798 3 550	24 000 18 000		.5906 .9055	
17	25	RL 425	1 328 5 910	1 023 4 550	21 000 17 000		.6693 .9843	
19	27	RL 427	1 427 6 350	1 148 5 110	20 000 15 000		.7480 1.0630	
20	28	RL 428	1 425 6 340	1 160 5 160	19 000 15 000		.7874 1.1024	
22	30	RL 430	1 515 6 740	1 283 5 710	17 000 14 000		.8661 1.1811	
24	32	RL 432	1 508 6 710	1 301 5 790	16 000 13 000		.9449 1.2598	
25	33						.9483 1.2992	
27	35						1.0630 1.3780	
29	37	RL 437	1 663 7 400	1 555 6 920	14 000 11 000		1.1417 1.4567	
30	38	RL 438	1 659 7 380	1 562 6 950	13 000 10 000		1.1811 1.4960	
34	42	RL 442	1 890 8 410	1 924 8 560	12 000 9 000		1.3386 1.6535	
35	43	RL 443	1 883 8 380	1 930 8 590	12 000 9 000		1.3780 1.6929	
40	48	RL 448	2 164 9 630	2 416 10 750	10 000 8 000		1.5748 1.8898	
42	50						1.6535 1.9685	
45	53	RL 453	2 126 9 460	2 441 10 860	9 000 7 000		1.7717 2.0866	
50	58	RL 458	2 236 9 950	2 695 11 990	8 500 6 500		1.9685 2.2835	
51	59	RL 459	2 373 10 560	2 933 13 050	8 000 6 500		2.0079 2.3228	
55	63	RL 463	2 411 10 730	3 068 13 650	7 500 6 000		2.1654 2.4803	
60	68						2.3622 2.6772	
62	70	RL 470	2 627 11 690	3 566 15 870	7 000 5 000		2.4409 2.7559	
65	73	RL 473	2 605 11 590	3 575 15 910	6 500 5 000		2.5590 2.8740	
70	78	RL 478 *	2 566 11 420	3 591 15 980	6 000 4 700		2.7559 3.0709	
80	88	RL 488 *	2 749 12 230	4 097 18 230	5 300 4 100		3.1496 3.4646	

\* Not a stock item, delivery on request.  
Other sizes on request. 10 Nm = 1 kpm, 10 N = 1 kp – Dimensions subject to change!

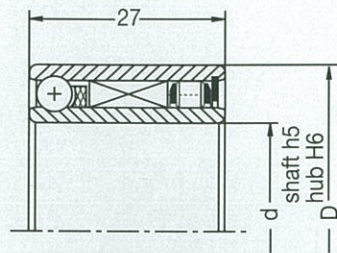
## FR 400

## FP 400

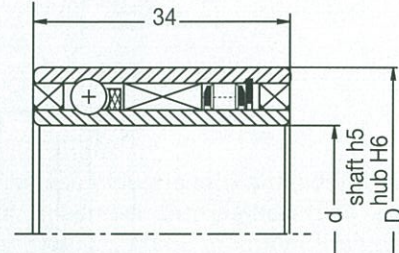
## FPD 400



without bearing support



with bearing

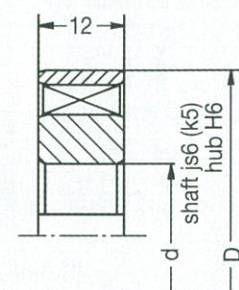


with bearing and double seal

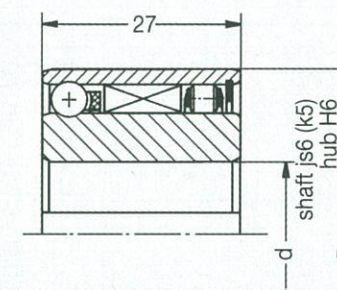
## FRN 400\*

## FN 400

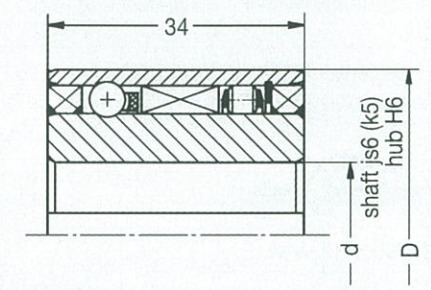
## FND 400



without bearing support



with bearing



with bearing and double seal

Dimensions [mm] [inch]		FR 400	FP 400	FPD400	Torque M	Idling speed clutch $n_{max}$ [RPM]	Load Capacities [N] [lb]			
d	D	Part number					[ftlb]	[Nm]	C dynamic	
							Ball	Roller	Ball	Roller
10 .3937	26 1.0236	FR 422	FP 422		36	48	4 935	4 960	2 085	3 500
		FR 422 Z	FP 422 Z		32	42	1 109	1 115	469	787
15 .5906	31 1.2205	FR 427	FP 427		59	80	6 080	6 350	2 785	5 110
		FR 427 Z	FP 427 Z		49	66	1 366	1 427	626	1 148
20 .7874	36 1.4173	FR 432	FP 432		86	116	6 555	6 710	3 175	5 790
		FR 432 Z	FP 432 Z		71	97	1 473	1 508	714	1 301
25 .9843	41 1.6142	FR 437	FP 437		117	158	7 325	7 400	3 870	6 920
		FR 437 Z	FP 437 Z		101	137	1 646	1 663	870	1 555
30 1.1811	46 1.8110	FR 442	FP 442	FPD 442	152	207	7 980	8 410	4 570	8 560
		FR 442 Z	FP 442 Z	FPD 442 Z	131	178	1 793	1 890	1 027	1 924
35 1.3780	53 2.0866	FR 448			201	272				
		FR 448 Z			173	235				
40 1.5748	58 2.2835	FR 453	FP 453		246	333	8 690	9 460	5 640	10 860
		FR 453 Z	FP 453 Z	FPD 453 Z	207	281	1 953	2 126	1 267	2 441
50 1.9685	68 2.6772	FR 463	FP 463		348	472	9 295	10 730	6 700	13 650
		FR 463 Z	FP 463 Z		300	407	2 089	2 411	1 506	3 068
60 2.3622	78 3.0709	FR 473	FP 473		467	633	9 535	11 590	7 420	15 910
		FR 473 Z	FP 473 Z		402	545	2 143	2 605	1 667	3 575

The load capacities "C" and "C<sub>0</sub>" are not valid for the FR 400 series!

Maximum radial clearance for the FR 400 series pending application 0.02 mm.

♦ Arrow on inner ring shows: idling direction of outer ring = locking direction of inner ring.

\* Idling speed for series FPD

Other sizes on request.  
Dimensions subject to change!  
10 Nm = 1 kpm; 10 N = 1 kp

Dimensions [mm] [inch]		FRN 400+	FN 400	FND400♦	Torque M	Idling speed clutch $n_{max}$ [RPM]	Load Capacities [N] [lb]			
d	D	Part number					[ftlb]	[Nm]	C dynamic	
							Ball	Roller	Ball	Roller
10 .3937	31 1.2205	FRN 427			59	80				
		FRN 427 Z			49	66				
12 .4724	36 1.4173	FRN 432			86	116				
		FRN 432 Z			71	97				
15 .5906	41 1.6142	FRN 437	FN 437	FND 437	117	158	7 325	7 400	3 870	6 920
		FRN 437 Z	FN 437 Z	FND 437 Z	101	137	1 646	1 663	870	1 555
20 .7874	46 1.8110	FRN 442	FN 442	FND 442	152	207	7 980	8 410	4 570	8 560
		FRN 442 Z	FN 442 Z	FND 442 Z	131	178	1 793	1 890	1 027	1 924
25 .9843	58 2.2835	FRN 453	FN 453	FND 453	246	333	8 690	9 460	5 640	10 860
		FRN 453 Z	FN 453 Z	FND 453 Z	207	281	1 953	2 126	1 267	2 441
30 1.1811	64 2.5197	FRN 459	FN 459	FND 459	305	414	8 805	10 560	6 010	13 050
		FRN 459 Z	FN 459 Z	FND 459 Z	263	357	1 979	2 373	1 351	2 933
35 1.3780	68 2.6772	FRN 463			348	472				
		FRN 463 Z			300	407				
40 1.5748	75 2.9528	FRN 470	FN 470	FND 470	429	583	9 645	11 690	7 405	15 870
		FRN 470 Z	FN 470 Z	FND 470 Z	370	502	2 168	2 627	1 664	3 566
45 1.7717	78 3.0709	FRN 473			467	633				
		FRN 473 Z			402	545				

The load capacities "C" and "C<sub>0</sub>" are not valid for the FRN 400 series!

Maximum radial clearance for the FRN 400 series pending application 0.02 mm.

+ Torque capacity stated is valid for the clutch but not for the keyway!

Keyway specifications according to DIN 6885 Bl. 1 (P9) with back clearance (connecting dimensions on page 20).

♦ Arrow on inner ring shows: idling direction of outer ring = locking direction of inner ring

\* Idling speed for series FND

Other sizes on request.  
Dimensions subject to change.  
10 Nm = 1 kpm; 10 N = 1 kp

Please note also our  
flyer Ball Bearing Clutches.

## FK 62 . .

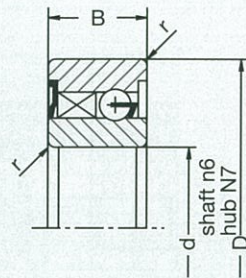
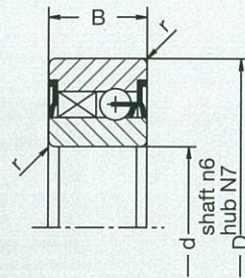
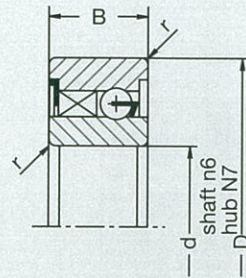
## FK 62 . .-2RS

## FK 62 . .-RS

Engagement direction of inner ring  
only important for type FK 62 . .-RS



direction of view



Dimensions in accordance with DIN 625, series 62, row 02

The "open" and "2RS" style are the standard program. With these types it is not necessary to specify clutch engagement direction. With the "RS" style it is necessary to specify clutch engagement direction as shown beside. The "RS" and "2RS" style are shipped grease lubricated for the life-time. Specification DIN 620 states that the radial clearance will be C2 to C5 after installation is completed. Should C2 be desired, it is necessary that the shaft diameter is manufactured at the high limit of the tolerance zone and the diameter of the housing bore is manufactured at the lowest limit.

with Keyway

## FKN 62 . .

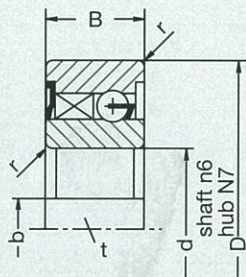
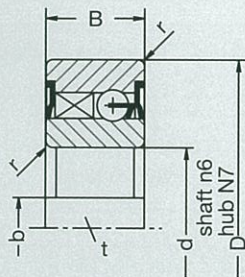
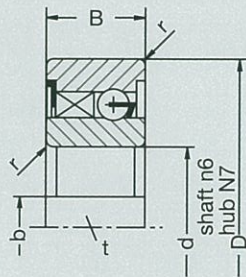
## FKN 62 . .-2RS

## FKN 62 . .-RS

Engagement direction of inner ring  
only important for type FKN 62 . .-RS



direction of view



Dimensions in accordance with DIN 625, series 62, row 02

Dimensions [mm] [inch]						Part Number	M [Nm] [ftlb]	Idling speed clutch $n_{max}$ [RPM]	Load Capacities [N] [lb]			
d	D	B	r	b <sup>P9</sup>	t				C dyn.	C <sub>0</sub> static		
17	40	12	1	5	1.2	FK 6203		FK 6203-RS	40	3 700	6 555	3 175
.6693	1.5748	.4724	.04	.1968	.0472	FKN 6203		FKN 6203-RS	29.5		1.473	0.714
20	47	14	1.5	6	1.6	FK 6204	FK 6204-2RS	FK 6204-RS	55	3 200	7 325	3 870
.7874	1.8504	.5512	.06	.2362	.063	FKN 6204	FKN 6204-2RS	FKN 6204-RS	40.5		1.646	0.870
25	52	15	1.5	8	2	FK 6205	FK 6205-2RS	FK 6205-RS	93	2 800	7 980	4 570
.9843	2.0472	.5906	.06	.315	.0787	FKN 6205	FKN 6205-2RS	FKN 6205-RS	69		1.793	1.027
30	62	16	1.5	8	2	FK 6206	FK 6206-2RS	FK 6206-RS	130	2 400	8 450	5 290
1.1811	2.4409	.6299	.06	.315	.0787	FKN 6206	FKN 6206-2RS	FKN 6206-RS	96		1.899	1.189
35	72	17	2.7	10	3.3	FK 6207	FK 6207-2RS	FK 6207-RS	202	1 900	9 295	6 700
1.3780	2.8346	.6693	.10	.3937	.130	FKN 6207	FKN 6207-2RS	FKN 6207-RS	149		2.089	1.506
40	80	18	2.7	12	3.3	FK 6208	FK 6208-2RS	FK 6208-RS	200	1 900	9 295	6 700
1.5748	3.1500	.7087	.10	.4724	.130	FKN 6208	FKN 6208-2RS	FKN 6208-RS	149		2.089	1.506
20	52	15	1.5				FK 6304-2RS		93	2 800	7 980	4 570
.7874	2.0472	.5906	.06						69		1.793	1.027

The torque capacities for the FKN 62 . . series are only valid for the clutches, but not for the keyways!

Keyway specifications according to DIN 6885 Bl. 3 P9 with back clearance. (Conversion factors see page 20).

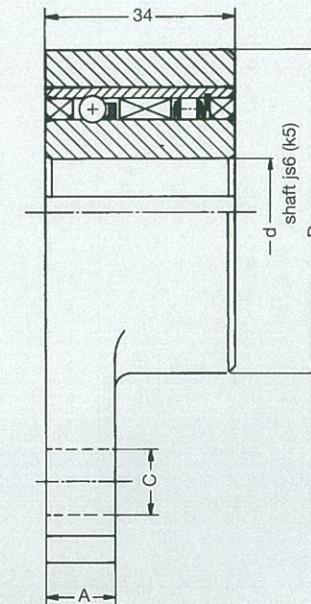
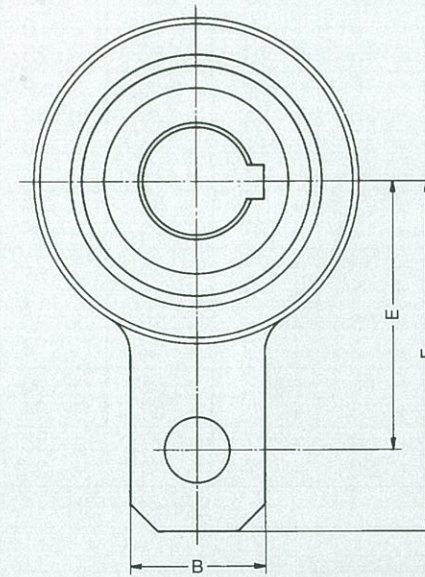
Arrow at inner ring shows: idling direction of outer ring = locking direction of inner ring.

◆ Sizes 6207, 6208: Housing tolerance N6; keyway depth according DIN 6885 Bl. 1

Other sizes on request.  
Dimensions subject to change!

10 Nm = 1 kpm; 10 N = 1 kp

## RA 400



backstop direction at inner ring



direction of view

Backstops of series  
RA 400 can be used as  
indexing elements too.

Dimensions [mm] [inch]							Part Number	Torque M		Idling speed clutch $n_{max}$ [RPM]	Load Capacities [N] [lb]			
d	D	A	B	C	E	F		[ftlb]	[Nm]		C dynamic Ball	C <sub>0</sub> static Roller	C <sub>0</sub> static Ball	C <sub>0</sub> static Roller
15	65	12	32	10	47	62	RA 437	117	158	1 700	7 325	7 400	3 870	6 920
.5906	2.5590	.4724	1.2598	.3937	1.8504	2.4409	RA 437 Z	101	137		1 640	1 663	870	1 555
20	75	16	36	12	54	72	RA 442	152	207	1 500	7 980	8 410	4 570	8 560
.7874	2.9528	.6299	1.4173	.4724	2.1260	2.8346	RA 442 Z	131	178		1 793	1 890	1 027	1 924
25	90	16	45	16	62	84	RA 453	246	333	1 200	8 690	9 460	5 640	10 860
.9843	3.5433	.6299	1.7717	.6299	2.4409	3.3070	RA 453 Z	207	281		1 953	2 126	1 267	2 441
30	100	16	50	16	68	92	RA 459	305	414	1 100	8 805	10 560	6 010	13 050
1.1811	3.9370	.6299	1.9685	.6299	2.6772	3.6220	RA 459 Z	263	357		1 979	2 373	1 351	2 933
40	110	20	50	20	85	112	RA 470	429	583	1 000	9 645	11 690	7 405	15 870
1.5748	4.3307	.7844	1.9685	.7874	3.3465	4.4494	RA 470 Z	370	502		2 168	2 627	1 664	3 566

Keyway specifications according to DIN 6885 Bl. 1 (P9) with back clearance. (connecting dimensions on page 20).

Hole C in momentum lever may be ordered threaded, with pivot stud or as a slotted hole at extra cost.

Arrow at inner ring shows locking direction of inner ring.

Other sizes on request.

Dimensions subject to change.

10 Nm = 1 kpm; 10 N = 1 kp

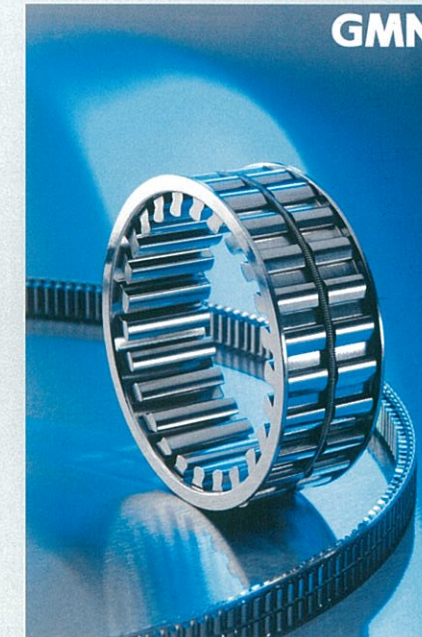
Shaft		Extract of DIN 7160										
Normal Size mm	Above To	Shaft Tolerance in 0.001 mm = .000039 inch										
		3	6	10	18	30	50	80	120	180	250	
Tolerance Zone	h	5	0	0	0	0	0	0	0	0	0	0
		6	-5	-6	-8	-9	-11	-13	-15	-18	-20	-23
	js	6	0	0	0	0	0	0	0	0	0	0
		7	-8	-9	-11	-13	-16	-19	-22	-25	-29	-32
	k	6	+4	+4.5	+5.5	+6.5	+8	+9.5	+11	+12.5	+14.5	+16
		7	-4	-4.5	-5.5	-6.5	-8	-9.5	-11	-12.5	-14.5	-16
	n	6	+6	+7.5	+9	+10.5	+12.5	+15	+17.5	+20	+23	+26
		7	-6	-7.5	-9	-10.5	-12.5	-15	-17.5	-20	-23	-26
	H	5	+6	+7	+9	+11	+13	+15	+18	+21	+24	+27
		6	+1	+1	+1	+2	+2	+2	+3	+3	+4	+4
	N	6	+9	+10	+12	+15	+18	+21	+25	+28	+33	+36
		7	+1	+1	+1	+2	+2	+2	+3	+3	+4	+4
	N	6	+16	+19	+23	+28	+33	+39	+45	+52	+60	+66
		7	+8	+10	+12	+15	+17	+20	+23	+27	+31	+34
	N	6	+20	+25	+30	+36	+42	+50	+58	+67	+77	+86
		7	+8	+10	+12	+15	+17	+20	+23	+27	+31	+34

Housing		Extract of DIN 7161										
Normal Size mm	Above To	Housing Tolerance in 0.001 mm = .000039 inch										
		3	6	10	18	30	50	80	120	180	250	
Tolerance Zone	H	6	+8	+9	+11	+13	+16	+19	+22	+25	+29	+32
		6	0	0	0	0	0	0	0	0	0	0
	N	6	-5	-7	-9	-11	-12	-14	-16	-20	-22	-25
		7	-13	-16	-20	-24	-28	-33	-38	-45	-51	-57
	N	6	-4	-4	-5	-7	-8	-9	-10	-12	-14	-14
		7	-16	-19	-23	-28	-33	-39	-45	-52	-60	-66

Keyway and Key		Extract of DIN 6885 Bl. 1													
Normal Size mm	Above To	Keyway Tolerance in 0.001 mm = .000039 inch													
		8	10	12	17	22	30	38	44	50	58	65	75	85	95
Keysize (Width x Height)	3x3	4x4	5x5	6x6	8x7	10x8	12x8	14x9	16x10	18x11	20x12	22x14	25x14	28x16	32x18
		6	-6	-12	-15	-18	-22	-26	-31	-42	-51	-61	-74	-88	-88
Tolerance Zone P9 for keyway width	-31														
Depth of Keyway (shaft)	1.8	2.5	3	3.5	4	5	5	5.5	6	7	7.5	9	9	10	11
		Tolerance +100													
Depth of Keyway (hub)	1.4	1.8	2.3	2.8	3.3	3.3	3.3	3.8	4.3	4.4	4.9	5.4	5.4	6.4	7.4
		Tolerance +100													

Keyway and Key		Extract of DIN 6885 Bl. 3													
Normal Size mm	Above To	Keyway Tolerance in 0.001 mm = .000039 inch													
		8	10	12	17	22	30	38	44	50	58	65	75	85	95
Keysize (Width x Height)	5x3	6x4	8x5	10x6	12x6	14x6	16x7	18x7	20x8	22x9	25x9	28x10	32x11		
		6	-12	-15	-18	-22	-26	-31	-42	-51	-61	-74	-88	-88	
Tolerance Zone P9 for keyway width	-31														
Depth of Keyway (shaft)	1.9	2.5	3.1	3.7	3.9	4	4.7	4.8	5.4	6	6.2	6.9	7.6		
		Tolerance +100													
Depth of Keyway (hub)	1.2	1.6	2	2.4	2.2	2.1	2.4	2.3	2.7	3.1	2.9	3.2	3.5		
		Tolerance +100													

## GMN Freewheel-Clutches Series 8000



## Introduction

The sprag-type freewheel clutches of series 8000 are based on a newly developed sprag with a nominal height of 8.33 mm (2<sup>1</sup>/<sub>64</sub> in). For shaft sizes of 38 to 150 mm or corresponding inch sizes this series offers alternative options or additional solutions for our famous series FE 400. Similar to FE 400 the new 8000 series provides very high torque capacity in relation to the required mounting space due to the large quantity of sprags. The newly designed clamping curve offers smooth and reliable torque pick up, which guarantees optimum performance for any freewheel clutch application such as indexing, overrunning or backstopping. The diameter range mentioned above does not show the limits for the usage of this series. For special requirements of our customers we will be pleased to develop and offer new types below or above the existing standard programme. We offer clutches of the 8000 series in four different widths: 13, 16, 19, 25 mm. The part number shows this dimension. The standard does not incorporate all widths for any diameter right now, but missing combinations will be realised upon requirement. The two or three last digits of the part number show the closest full shaft diameter of the metric conversion of the basically inch size of the metric conversion of the basically inch size of the shaft. e.g. FE 8072 for 72.21 mm = 2<sup>27</sup>/<sub>32</sub> in. Special clutches could be designed for exact pure metric shafts or housings (just one of them at a time).

## Mounting Instructions

The race ways the series 8000 insert clutches should run on must be hardened and ground. When surface hardening is used, the minimum hardening depth (Eht) at full torque must be 1.3 mm. Lower torque requirements allow lower depths. The tolerances for the mating parts of series 8000 have not to be as sophisticated as with series 400 due to the larger size of the sprags and the different shape of the clamping curve.

### Mounting fits: (only series 8000)

Shaft:  $d_L = h6$   
 Housing:  $D_L = H6$   
 Hardness: HRC = 60<sup>+4</sup>  
 Hardening  
 Depth: Eht ≥ 1.3 mm  
 Surface Finish:  $R_z ≤ 2.5 \mu m$   
 Excentricity:  $e ≤ 0.09 \text{ mm}$   
 (coaxiality of inner and outer race way)

Axial limitation for the insert clutch will be necessary and can be arranged by a shoulder, a washer or snapping (round edge towards the clutch). For ease of mounting we recommend chamfered shafts and housings.

## Speed Limits

When torque is transmitted the sprags are in a fixed position between inner- and outer race. Under these conditions – theoretically – there is no speed limit. In backstopping and overrunning applications the influence of centrifugal forces has to be considered.

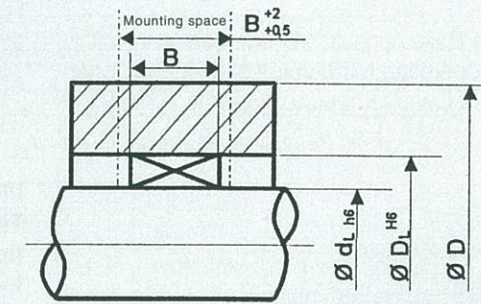
Tests showed that with oil lubrication series 8000 sprags surf on a hydrodynamic lubricating film under constant conditions ( $v = \text{const.}$ ) with rotating shaft. The clutch itself turns very slowly under these conditions and so centrifugal forces do not become effective. The same situation could be expected with grease lubrication at a slightly higher speed level.

Due to the idling behaviour of our sprags of series 8000 there would be no need for sprags lifting off by centrifugal force or for dual cages or cages fix by clips or springs.

The rotating speed of the clutch itself depends on size, viscosity and temperature. With a hydrodynamic lubricating film only minimal wear could be expected.

Please note that in indexing applications due to alternating conditions a hydrodynamic lubricating film cannot be created. Please contact our technical staff for some advise if this kind of applications should arise.

## FE 8000



Dimensions [mm]			Part number	Torque M		Dimensions [in]		
$d_L$	$D_L$	B		[Nm]	[ft lb]	$d_L$	$D_L$	B
27,76	44,42	13	FE 8027 Z 13	210	155	1.0929	1.7488	0.5118
38,09	54,75	13	FE 8038 Z 13	333	245	1.4996	2.1555	0.5118
		16	FE 8038 Z 16	479	353			0.6299
		19	FE 8038 Z 19	627	462			0.7480
40,00	56,66	13	FE 8040 Z 13	361	266	1.5748	2.2307	0.5118
		16	FE 8040 Z 16	517	381			0.6299
		19	FE 8040 Z 19	677	499			0.7480
44,45	61,11	13	FE 8044 Z 13	427	315	1.7500	2.4059	0.5118
		16	FE 8044 Z 16	614	453			0.6299
		19	FE 8044 Z 19	803	592			0.7480
49,72	66,38	13	FE 8049 Z 13	515	380	1.9574	2.6134	0.5118
		16	FE 8049 Z 16	741	546			0.6299
		19	FE 8049 Z 19	970	715			0.7480
54,76	71,42	13	FE 8054 Z 13	606	447	2.1559	2.8118	0.5118
		16	FE 8054 Z 16	874	644			0.6299
		19	FE 8054 Z 19	1140	840			0.7480
		25	FE 8054 Z 25	1682	1240			0.9843
58,00	74,66	19	FE 8058 Z 19	1260	929	2.2835	2.9394	0.7480
68,00	84,66	16	FE 8068 Z 16	1266	933	2.6772	3.3331	0.6299
72,21	88,87	13	FE 8072 Z 13	977	720	2.8429	3.4988	0.5118
		16	FE 8072 Z 16	1411	1040			0.6299
		19	FE 8072 Z 19	1845	1360			0.7480
		25	FE 8072 Z 25	2715	2001			0.9843
79,69	96,36	25	FE 8079 Z 25	2619	1930	3.1374	3.7937	0.9843
83,34	100,00	25	FE 8083 Z 25	3407	2511	3.2811	3.9370	0.9843
93,34	110,00	19	FE 8093 Z 19	2907	2143	3.6748	4.3307	0.7480
103,23	119,89	16	FE 8103 Z 16	2674	1971	4.0642	4.7201	0.6299
		19	FE 8103 Z 19	3322	2449			0.7480
		25	FE 8103 Z 25	4600	3391			0.9843
123,34	140,00	25	FES 8123 Z 25	5965	4397	4.8559	5.5118	0.9843
123,88	140,54	25	FE 8123 Z 25	5990	4415	4.8772	5.5331	0.9843
126,22	142,88	25	FE 8126 Z 25	5998	4421	4.9693	5.6252	0.9843
129,39	146,05	25	FE 8129 Z 25	6244	4602	5.0941	5.7500	0.9843
140,00	156,66	25	FE 8140 Z 25	6686	4928	5.5118	6.1677	0.9843
150,00	166,66	25	FE 8150 Z 25	7448	5490	5.9055	6.5614	0.9843

\* The nominal torque is based on the conditions for torque determination on pages 7 and 8.

# GMN

## GMN

Proper lubrication with only qualified lubricants is the prerequisite for achievement of highest efficiency of our high quality clutches.

Only with use of oil or grease lubricants as specified in Tables 1 to 3 GMN will warrant their freewheel-clutches and their trouble free function.

GMN will supply on request, factory lubricant specifications for your specific operating temperature range.

Please consult with our technical staff if operating temperatures are in the upper or lower temperature tolerance range.

Whenever possible, use only oil or oil mist lubrication rather than grease lubrication.

For oilmist lubrication – please use oils as per table 1 e.g. HM 10 or HM 32.

**Please note:**  
The use of lubricants with additives that decrease the coefficient of friction, i.e. MoS2 or graphite is not possible.

### Oil

Table 1	Operating Temperature Range at GMN Clutch		
	- 15 °C to + 30 °C + 5 °F to + 86 °F	15 °C to 90 °C 59 °F to 194 °F	60 °C to 120 °C 140 °F to 248 °F
Oil Type	Hydraulic Oil HM 10	Hydraulic Oil HM 32	Hydraulic Oil HM 100

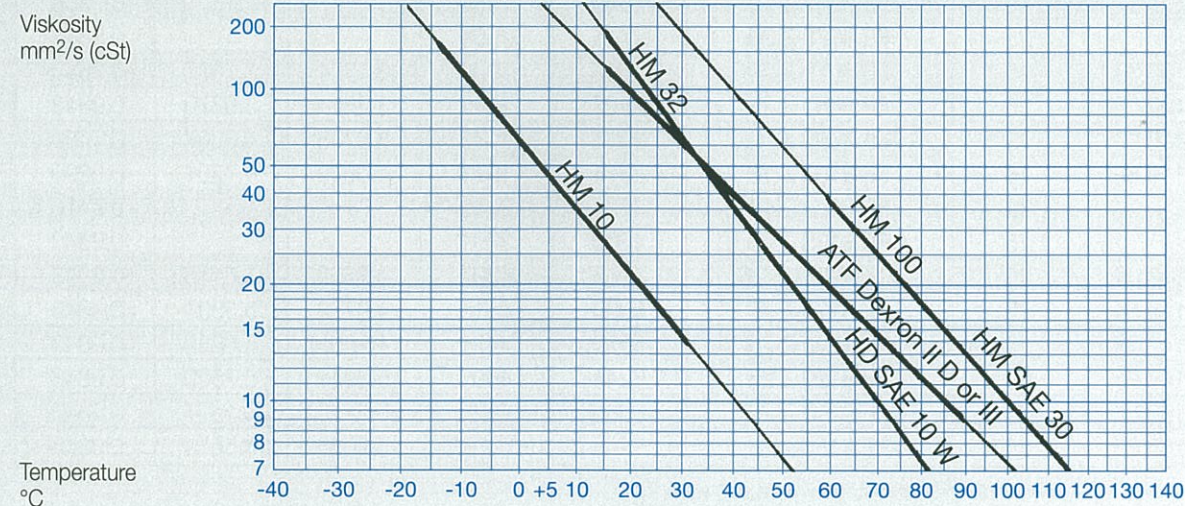
Table 2	Operating Temperature Range at GMN Clutch		
	- 15 °C to + 30 °C + 5 °F to + 86 °F	15 °C to 90 °C 59 °F to 194 °F	60 °C to 120 °C 140 °F to 248 °F
Oil Type	-	HD-Motor Oil SAE 10 W ATF DEXRON II D or III	HD Motor Oil SAE 30

Oil lubricants described in Table 2 are from the automotive sector. These lubricants can easily be obtained at

automotive supply outlets and are excellent for the lubrication of our freewheel-clutches.

Lubricant qualification:  
HD-Motor Oil SAE 10 W or SAE 30 is equal to "API-Service SF/CC" and "MIL-L 46152 B".

### Viscosity-Temperature Diagram for GMN Oil



Important: Oils shown in table 1 and table 2 are only to be mixed with oils of the same qualification. That means ATF oil with ATF oil. HD-motor oil with HD-motor oil, hydraulic oil with hydraulic oil; but not ATF oil with motor oil or hydraulic oil etc.

If there is any change of oil from one qualification to the other it is absolutely necessary to clean the freewheel-clutch and mating parts with cleaning or test benzene. Never use trichloroethylene or perchlorethylene.

The oil level should be in relation to the size of the freewheel-clutch. In normal installation position, not operating, one half of the clutch should be submerged in oil.

At high values of indexing frequency or idling speed the amount of oil should be reduced. Just one third of the clutch should be submerged.

Our double sealed freewheel-clutches (series FND and FPD) are filled with an oil for operating temperature range 15 °C to 90 °C if not specially ordered.

For oil mist lubrication systems GMN recommends ample clean oil, free of moisture, be sprayed directly onto clutches.

Open or unsealed housings should be inspected frequently – at least daily – for proper lubrication level. The amount of the refill depends on the specific design, the clutch is installed in and on its size.

### Grease

Greases from different manufactures may not be compatible. Consult with GMN for proper lubrication recommendations

There is no universal grease for all service and operating conditions. Table 3 below lists suitable grease types and characteristics for GMN freewheel-clutches.

Table 3 shows a selection of the favoured greases and their specifications. The greases belong to the following consistence classes as per german standards DIN 51818: NLGI 2 (except Klüber Bio BM 72-501 – NLGI 1).

For regular working conditions the first two grease types are the perfect choice, as the use of Klüber Bio HB 72-102 is recommended for very special conditions.

It is very important to take care for the right amount and proper distribution of the grease. We recommend to fill about 60% of the free space inside the clutch with grease by using a detergent for getting the grease equally distributed.

Table 3

Producer	Grease	Saponification	Oilbase	Operating Temperature at GMN Freewheel Clutches	Characteristics
Klüber Lubrication	ISO FLEX LDS 18 Special A	Lithium	Ester/Mineral	- 30 °C...+130 °C - 22 °F...+266 °F	Deep temperature and longterm grease with high resistance to aging and corrosion.
Klüber Lubrication	Klüberbio BM 72-501	Polyurea	Ester	- 20 °C...+120 °C - 4 °F...+248 °F	Biological grease especially for overrunning and backstopping.
Klüber Lubrication	Klüberbio HB 72-102	Polyurea	Ester	- 40 °C...+180 °C - 40 °F...+356 °F	Full-Synthetic grease especially for overrunning and backstopping.

GMN only uses ball and roller bearing grease which is continually monitored for maximum quality and maximum clutch life.

GMN can not endorse or guarantee the quality of lubricants, purchased by their customers to be used with GMN clutches.

Sealed ball bearing clutches "RS" and "2RS" are shipped grease lubricated with grease type Isoflex LDS 18 Special A, if not specially ordered.

## Mounting Series 400 and Series 8000

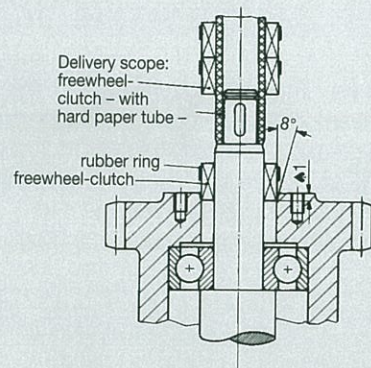
For easy and safe installation, freewheel-clutches are delivered on hard paper tubes. Only clutches of model FE 400 are surrounded with colored rubber rings, keeping the sprags in a

disengaged position, so clutches can be mounted easily. After removal of rubber ring the sprags will be engaged immediately to be ready for working.

Color of rubber ring for engagement direction:  
**right = red**  
**left = light green or transparent**

## Mounting

### FE 400

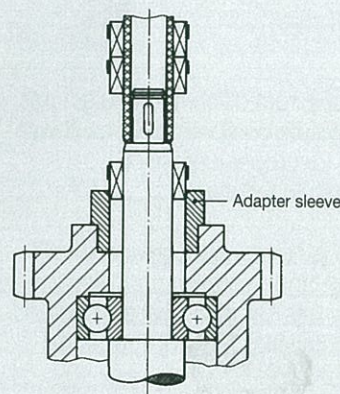


**FE 400** installation recommendations for large quantities.

◀◀ Push freewheel-clutch off of the paper tube over the shaft, into the housing. After removal of the rubber ring, push freewheel-clutch into final position.

In the event that the insertion of the freewheel-clutch from the paper tube is difficult due to larger depth, use an adapter sleeve for ease of mounting. ▶▶

### FE 400



Place freewheel-clutch in the housing and secure (retainer). Insert shaft with a turning and pushing motion.

### FE 400 Z/Z2 / FE 8000



In the event that the shaft and outer part can not be chamfered, place freewheel-clutch halfway on the shaft. This causes the sprags to tilt and reduces the diameter in relation to the size of the clutch frame. Now push shaft with the freewheel-clutch in place. This installation method is only possible with model FE 400 Z and FE 8000.

### FE 400 Z / FE 8000



Freewheel-clutches model FE 400 S with drag cage should have side support washers, sleeve, or shoulder flange. There should be no recess for a retaining ring on the mounting side.

### FE 400 S



Freewheel-clutches "FE 400 Z/Z2" and "FE 8000" can be installed for left or right engagement. When ordering, specification for left or right engagement is not necessary.

With this catalog we showed to you the most important facts about design, function and application of GMN Sprag-Type Freewheel-Clutches Series 400 and 8000.

It was our intention to give to you some guidelines for the right choice and the correct use of our clutches.

If you are in doubt, whether you have chosen the right clutch element or if you have some additional questions for solving your clutch problem, please do not hesitate to contact our technical staff. We will answer your questions and will discuss your problems with you without any obligation and free of any charges.

Please trust in our experience, because we are offering solutions for clutch problems for many, many years and our philosophy is not only to sell clutches but to satisfy our customers by offering the best solution from the technical side as well as pricewise.

If you have a certain clutch problem, please send as much information as possible, to enable us to find the best product for your application.

## Roller-Ramp-Clutches

In addition to our Sprag-Type-Clutches of series 400 and 8000 GMN offers a large variety of Roller-Ramp-Clutches. Below you will find a list of interchanges with other brands. For more detailed information ask for catalog 9082 E.



GMN	Other brands		
VS	NSS	AS	BSS
VSNU	NFS	ASNU	BFS
VF	NF	AE	BNF
VGf	NFR	ANG/ANR	BNFR
VGv	RS/BW	AV	RS/BF
VGL (P)	GFR N	AL (P)	GFRS (N)
VGL...F2-D2	GFR...F1-F2	AL...F2-D2	GFRS..D1-D2
VGL...F4-D2	GFR...F2-F7	AL...F4-D2	GFRS..D2-D7
VGL...F5-D2	GFR...F2-F3	AL...F5-D2	GFRS..D2-D3
VGL...F5-D3	GFR...F3-F4	AL...F5-D3	GFRS..D3-D4
VGL...KS-D2	GFR...ES-F2	AL...KMS-D2	
VGL...F7-D7	GFRN..F5-F6	ALP..F7-D7	GFRSN.D5-D6

## Conversion Factors

1 mm = 0.1	cm	1 g = 0.001	kg	1 Nm = 0.1019	kpm
1 mm = 0.00328	ft	1 g = 0.03527	oz	1 Nm = 0.737	ft lb
1 mm = 0.03937	in	1 g = 0.002205	lb	1 Nm = 141.5	oz in
1 in = 25.4	mm	1 oz = 28.35	g	1 oz in = 0.00707	Nm
1 ft = 304.8	mm	1 lb = 453.6	g	1 ft lb = 1.3567	Nm
1 ft = 12	in	1 lb = 16	oz	1 ft lb = 192	oz in
		1 kW = 1.34	hp	1 hp = 0.746	kW

## Please contact:

GMN Paul Müller Industrie GmbH & Co. KG  
 Äußere Bayreuther Straße 230  
 D-90411 Nürnberg  
 Bereich Antriebstechnik  
 Phone (09 11) 5691-418 / -243  
 Telefax (09 11) 5691-569  
 e-mail [vertrieb.at@gmn.de](mailto:vertrieb.at@gmn.de)  
 Internet <http://www.gmn.de>